

9b

9B) The small piece of plastic tubing is used to represent the front loading chute. Trim the end of the tube at an angle and glue it into the oval opening above the doorway.

Office:

10A) Assemble the 4 office wall sections as shown. Check for square and set aside to dry.

10B) Apply each trim section as shown overlapping the corners as on all the other trim. Assemble the window and door and install as you did those on the main structure..

10C) Apply the subroof panel onto the top of the wall section.

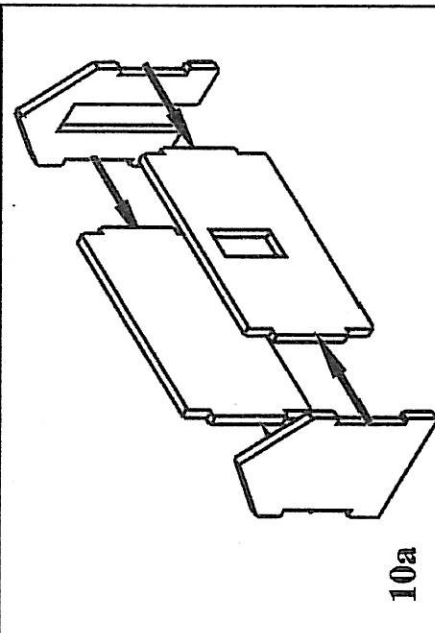
10D) Glue the paper roofing onto the subroof panels, overlapping each layer slightly as you work across your roof as you did earlier.

Your kit is now completed and ready for your layout. We hope you've enjoyed this kit. If you have any problems or comments, please contact us at:

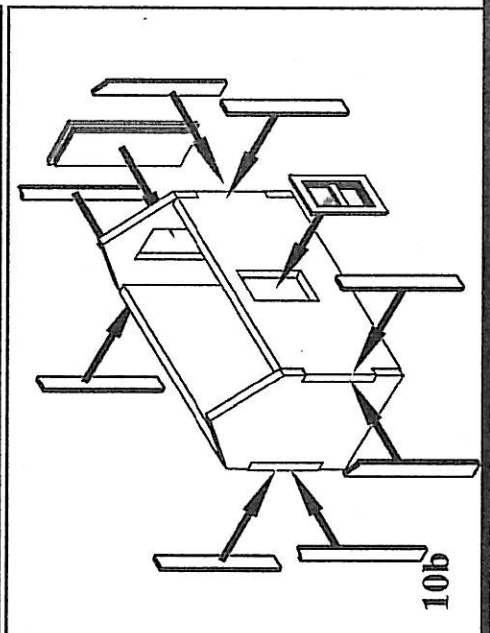
Branchline Trains

333 Park Ave.
East Hartford, CT. 06108

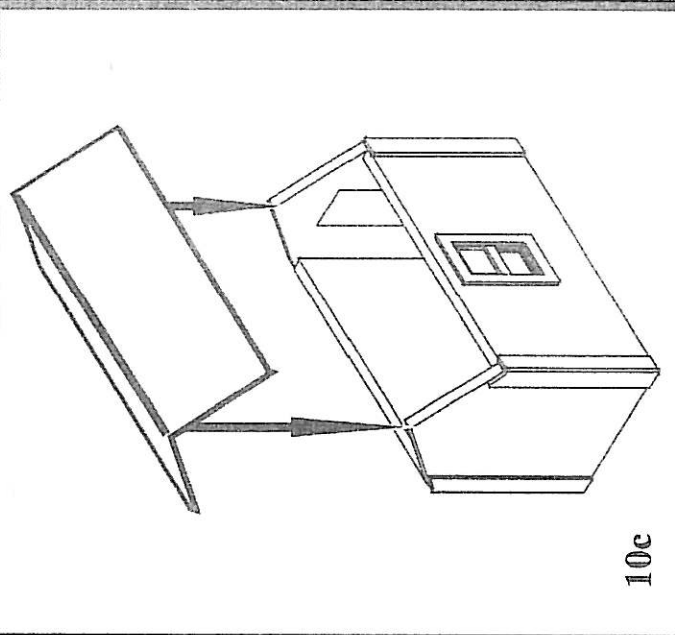
For a full list of our products, see our web site at www.branchline-trains.com



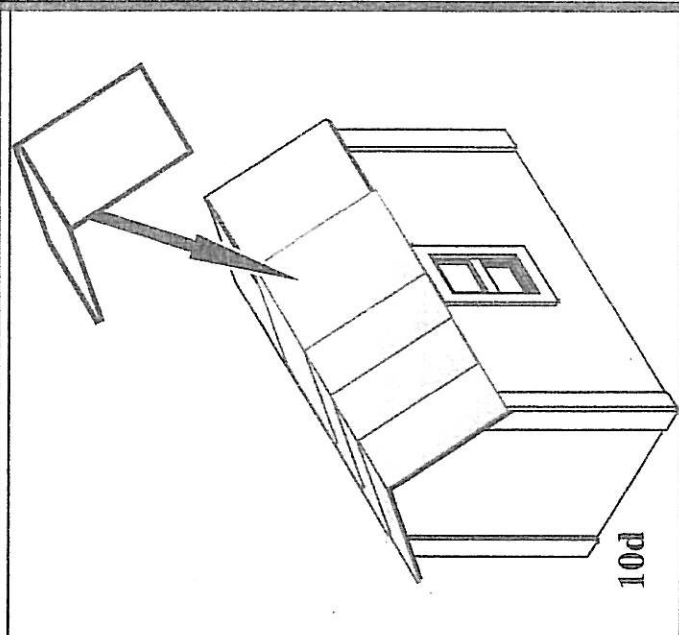
10a



10b



10c



10d