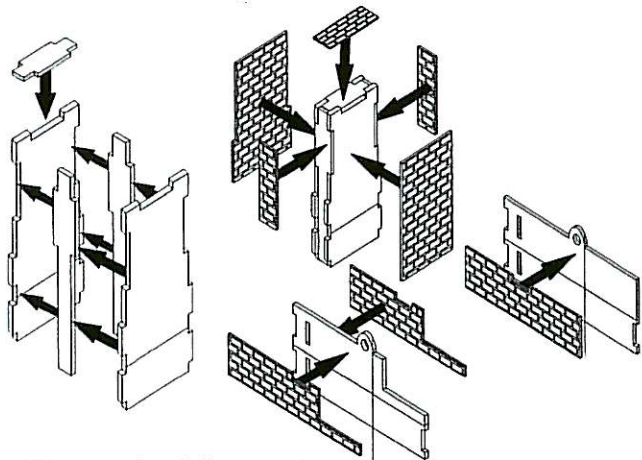


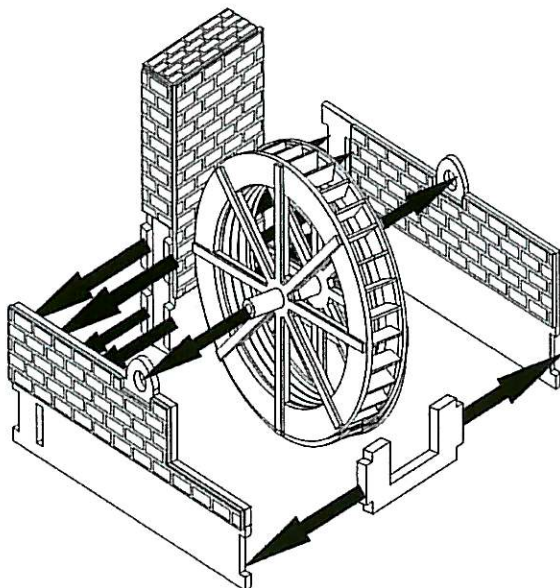
Finally, feed the center bearing (a section of white plastic tubing) through the center of the wheel.



Water wheel foundation:

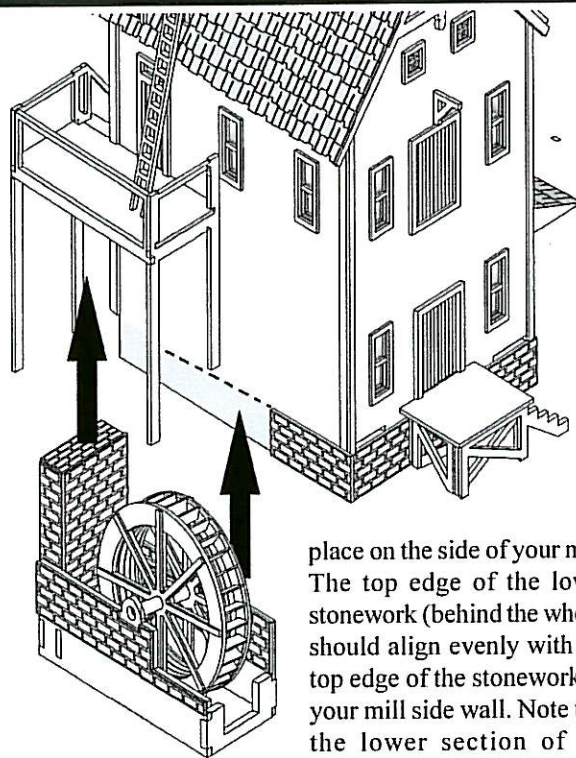
14A) Glue together the inner wall structure as shown, assembling the four wall sections together first followed by the top cap.

Next you can add the stonework detail to the walls as shown. The stonework will only cover the upper half of the wall sections. The lower half will need to be inserted into a hole in your benchwork.



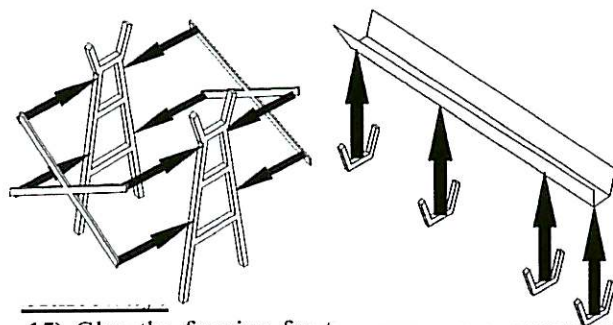
Now glue the foundation sections together, aligning the tabs and placing the wheel spindle into the holes in the side walls.

14B) The water wheel assembly can now be glued into



place on the side of your mill. The top edge of the lower stonework (behind the wheel) should align evenly with the top edge of the stonework on your mill side wall. Note that the lower section of the foundation will protrude

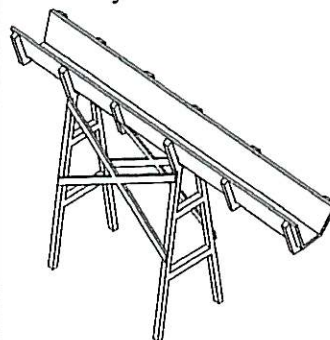
below the bottom of the mill wall (see diagram on back page for a view of the completed structure).



15) Glue the framing for the sluice way support legs together as shown. The cross bracing should be glued to each side of the frames.

Fold the water trough on the scribed lines, then glue on the four supports in the locations shown.

Glue the sluice way on to the support legs as shown. This assembly can then be mounted to route water into the back of your water wheel. See photos on the next page for scenery ideas.



Your kit is now completed and ready for your layout. We hope you've enjoyed this kit.