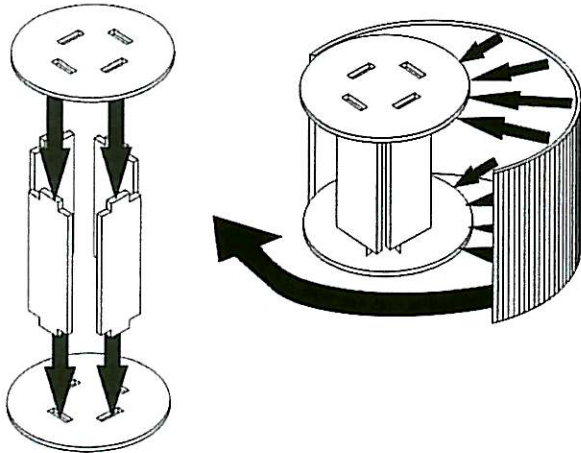
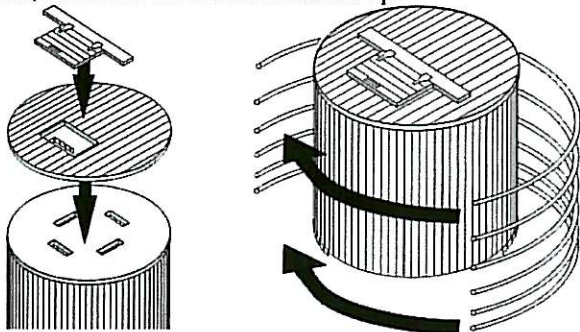


Next assemble the upper platform as shown. Note that all the pieces together. Once completed glue the platform to the top of the supports, lining up the slots.

11B) Start assembly of the water tower by gluing the inner supports together as shown (the upper and lower disks are supported by 4 inner supports). Let this assembly dry thoroughly before continuing.

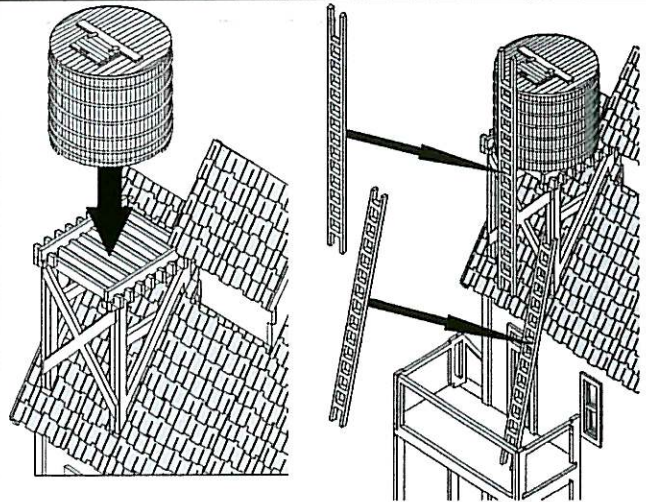


Now add the outer tank wrapper by carefully wrapped around the inner support. (We found that removing just the top and bottom parts of the peel-and-stick backing helps keep the wall together as it wraps into place). The peel-and-stick backing should keep the wall in place, but you can reinforce the joint with white glue or ACC for added strength. Use a rubber band and/or tape to hold everything in place until the adhesive has set up.



Next add the tank top and access hatch as shown. These are applied using their peel-and-stick adhesive.

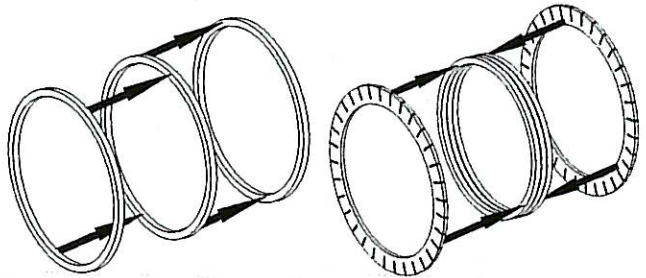
The tank bands are created by wrapping the thin styrene strips around the tank and securing them with drops of ACC. Space the bands slightly closer together at the bottom of the tank than at the top.



The water tank can now be glued into place on top of the support platform as shown.

Ladders:

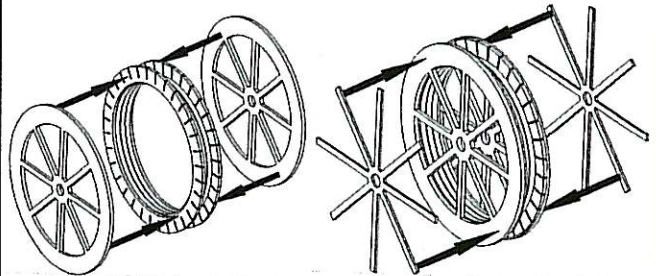
12) Two ladders are included for access to the water tank. Glue these into place as shown above.



Water wheel:

13) Start construction of the water wheel by gluing the three ring sections together as shown. Once dry, sand the edges.

Now glue the paddle supports to the inner section. Make sure the slots in the outer rings are aligned with each other.



Next apply the outer water wheel sections, centering them on the inner section.

Using white glue, apply the outer wheel ribs to the outside side of the wheel spokes as shown

Now glue in the rows of paddles. Take your time. It is helpful to have tweezers or small pliers to place the paddles into the slots.

