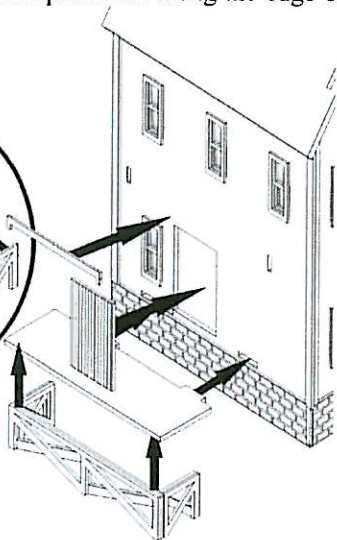
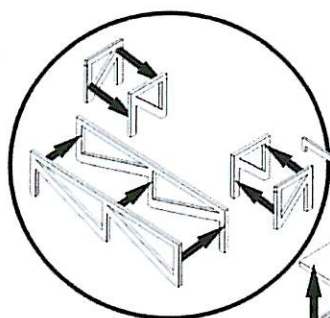
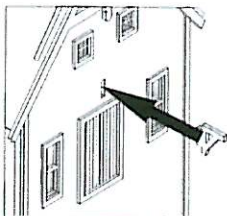
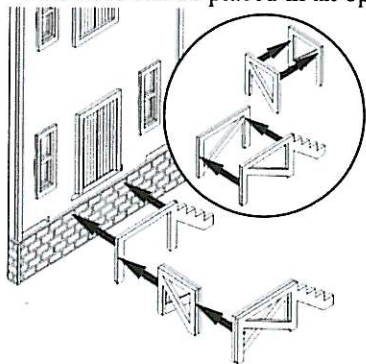


8B) To complete the ventilator, glue the two roof panels into place, then add the roof peak trim along the edge of the roof panels.

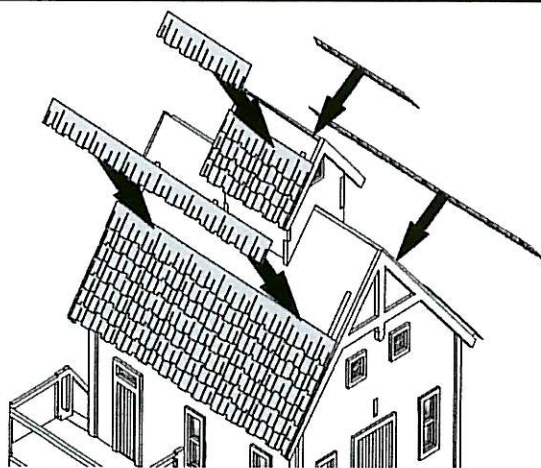


Loading docks:

9A) Glue the loading dock support legs together as shown. Now glue the dock flooring into the slots in the side wall, then glue the supports to the bottom edge of the flooring. Now add the sliding loading dock door and the door track. This door can be placed in an open position if desired.

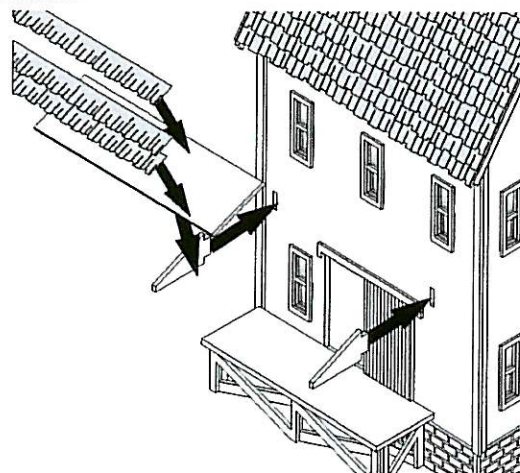


9B) Glue the two sections that make up each set of step stringers and supports as shown. Now glue the flooring into the slot in the wall, then glue the stringers and framework to the bottom of the flooring. Add the stair treads to the stringers. Lastly, add the hoist boom to the front of the upper front door.



Roofing:

10A) A sheet of pre cut paper shingles has been supplied with your kit. Install each strip using white glue, starting at the bottom edge of the roof area and overlapping each row as you work up the roof. Cut your strips slightly longer than needed. Once they are dry you can easily trim the edges flush with a sharp hobby knife. Make sure to re-cut the holes into the roofing shingles where the tower supports will locate.



10B) Assemble the loading dock roof by first gluing the roof supports into the side wall, then adding the roof panel. Now add the shingles as you did the main roof.

Paint and weather the roofing shingles at this time.

Water tower:

11A) Start by gluing the inner and outer sections of the tower support legs together, then glue each support leg into the holes in the roofing as shown. Now glue on the front cross brace.

