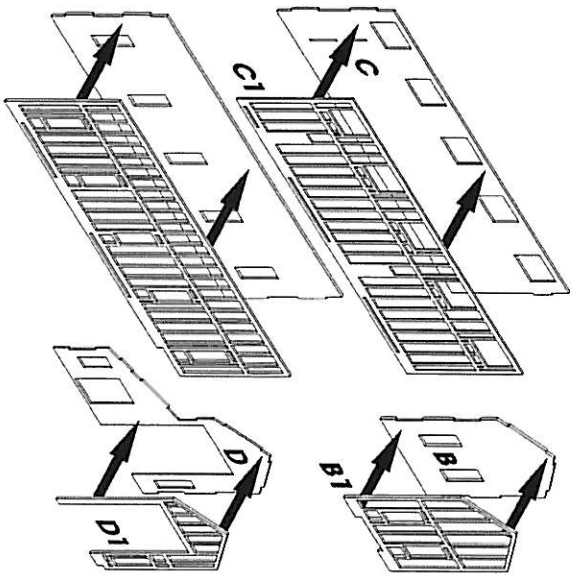
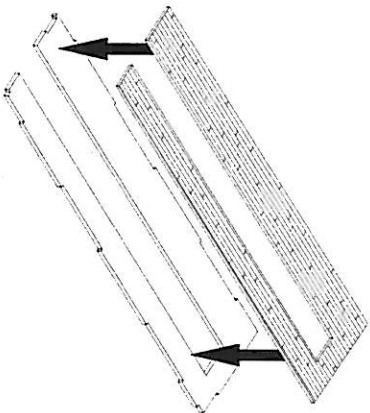


Constructing the shell:

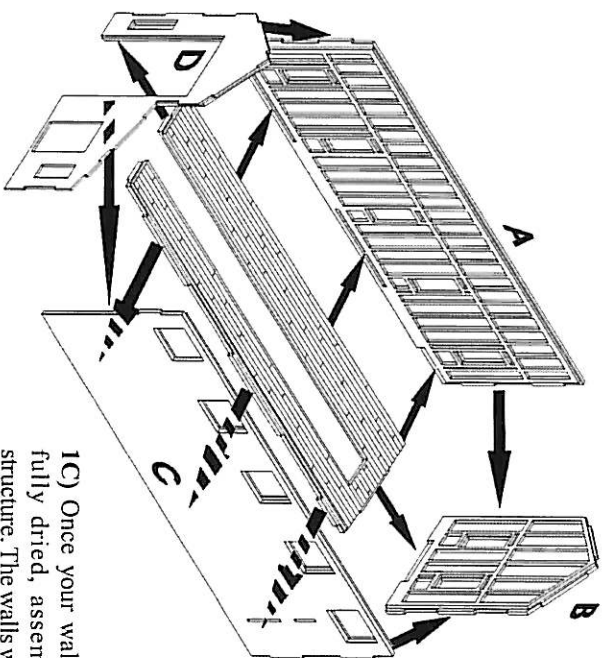


1A) Locate the outer walls (labeled A, B, C and D) and the inner framing (labeled A1, B1, C1 and D1). Using white glue, apply the inner end framing walls (B1 and D1) to the two outer end walls (B and D) respectively. These will align evenly with the outer walls themselves. Be sure not to cover the tabs for the sub roof by keeping the top edge of the framing flush with the main edge (non-tabbed portion) of the outer wall. Use the window/door cutouts for alignment. Set aside under a large book or similar flat weight to dry with minimal warping.

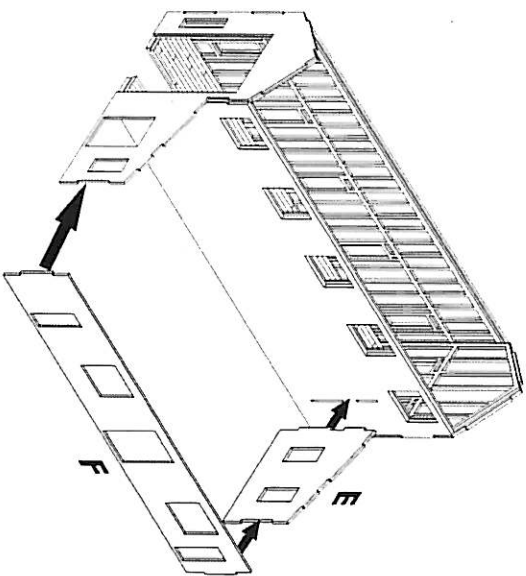


Next, glue the large side wall frames (A1 and C1) to the insides of the outer side walls (A and C). The framing must be centered evenly- left to right - leaving a small space on each end of the wall sections. Make sure that the slot positions at the bottom of the interior framing (A1 and C1) correspond to the locations shown in the diagram. You can use the window areas as guides when gluing the framed walls in. Again set aside to dry under a large book.

1B) Next, locate the plywood sub floor section and the scribed wood flooring. Remove the peel-and-stick backing from the thin flooring section and apply it to the sub floor as shown. This should align with the outer edges of the sub floor. Make sure you do not cover the tabs along the edges. Test fit your pieces before you apply them permanently.



1C) Once your wall sections have fully dried, assemble the outer structure. The walls will glue together at the four corners. A suggested approach is to glue wall units A and B together and let it tack up. Then glue in the tabbed floor component into the appropriate slots. Let this assembly set up a bit and then glue wall unit C to B and the tabbed floor.



1D) Once your main structure is dry, apply the final two exterior walls (labeled E and F). Wall unit "E" will tab into the side of wall unit "C". Wall unit "F" will locate into the tabs on the walls "C" and "E".