

We will assemble the platform in two sections, but the assembly sequences are essentially the same.

Ramp & platform.

Support Framework:

1A) and glue down the two cross beams to the center support as shown. Now glue the end cap into place onto the tab on the end of the center support.

1B) Now glue the two end side supports onto the tabs on the cross beams.

Trim:

2) Apply the inner scribed pieces by removing the peel-and-stick backing from them and pressing them onto the outer frame rails as shown. Note that the ends of the sidibg should be flush with the end cap. Now apply the outer trim in the same manner, again keeping it flush with the end cap.

Decking:

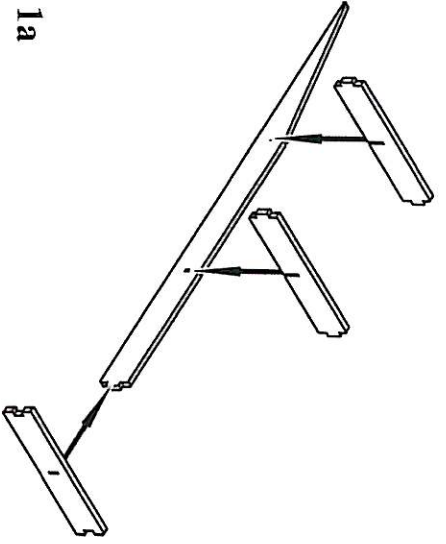
3) The decking should be applied flush with the edges on all sides. Remove the backing and press it into place on the flat top surface. The ramp surface can be folded down at the appropriate scribed boards.

Main Platform.

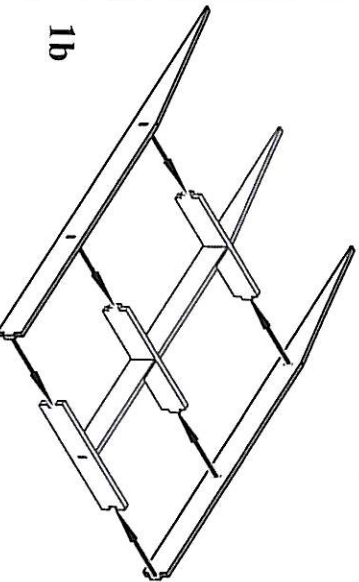
Support Framework:

4A) The main platform will assemble in much the same manner as the ramp. Start by gluing the center supports together as shown in the inset diagram. Now use the cross beam to locate the remaining center supports and glue into place as shown. Note that the large slot engages the glued together support beams

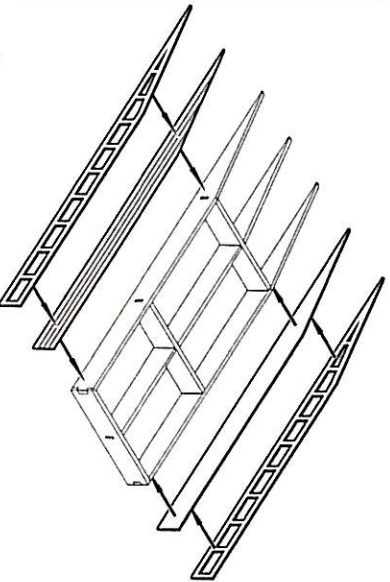
4B) Now glue the end support wall to the tabs on the three supports. Next, glue the long side support into slot in the support beam as shown. Finally, glue the three short supports into place as shown.



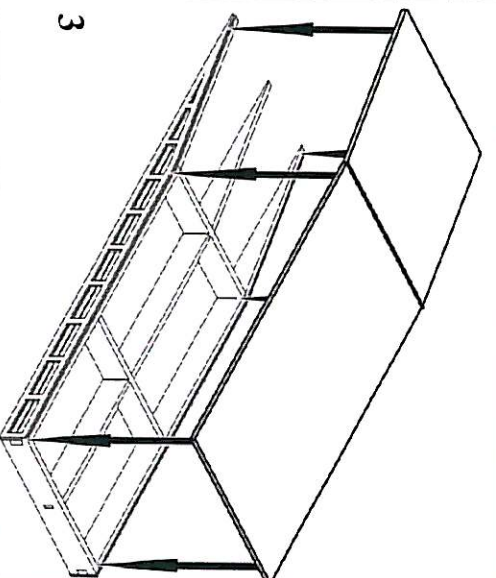
1a



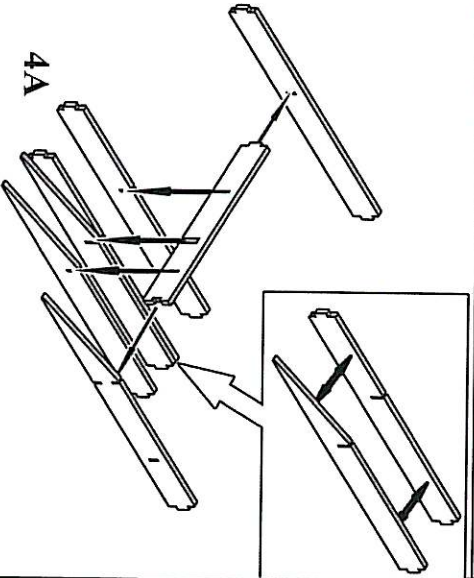
1b



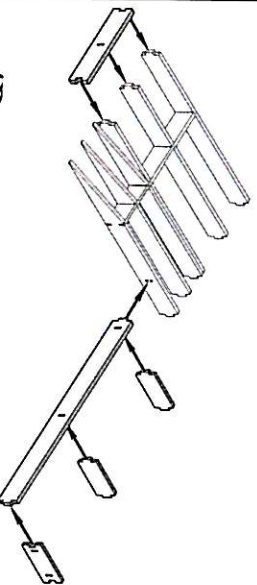
2



3



4A



4B