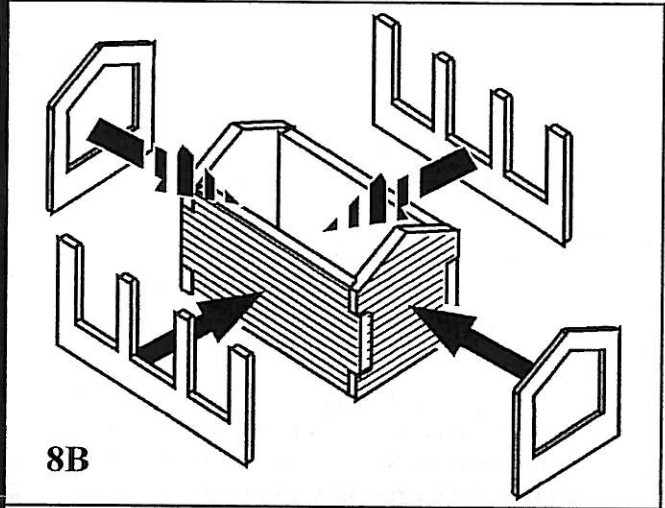
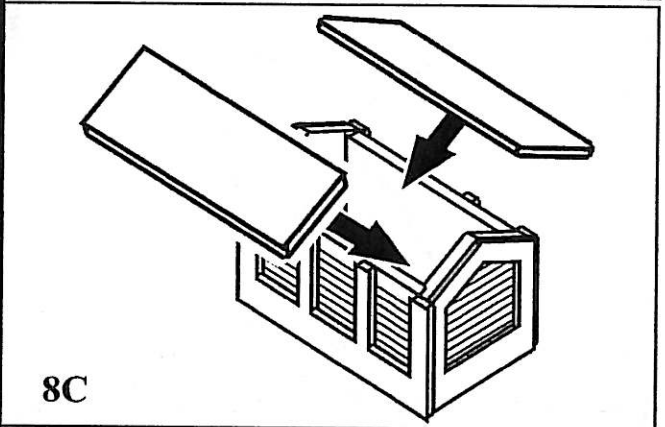


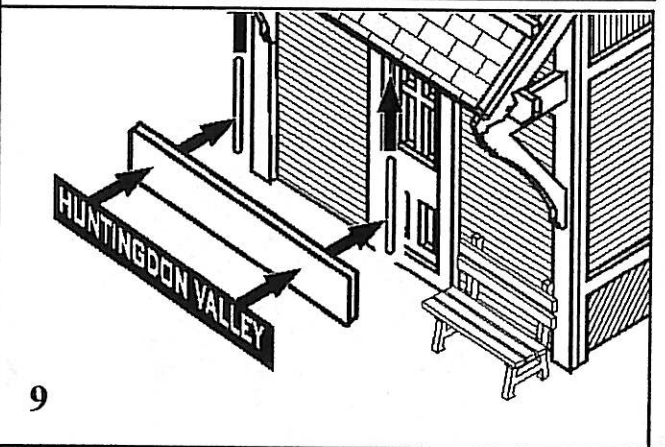
8A



8B



8C



9

Coal box:

8A) The coal box will assemble much like the main structure did. Start by assembling the four walls as shown.

8B) Now apply the side trim pieces followed by the front and rear sections. The front and rear pieces will overlap the sides to form a tight corner.

8C) Next apply the sub roof panels. The front can be glued into an open position if desired.

8D) Finally, glue the tar paper roofing to the top of your sub roofing.

Sign:

We have included an optional rectangular sign for the front of the station. This can either be glued directly to the support beam or can be hung from a couple short lengths of wire (not included). We have also included a pair sign that can be cut and apply to the sign.

Bench seating:

10) There is a small bench seat included with this kit. Apply the peel and stick planks to the side supports as shown. There are two planks on the top and three on the seating area.

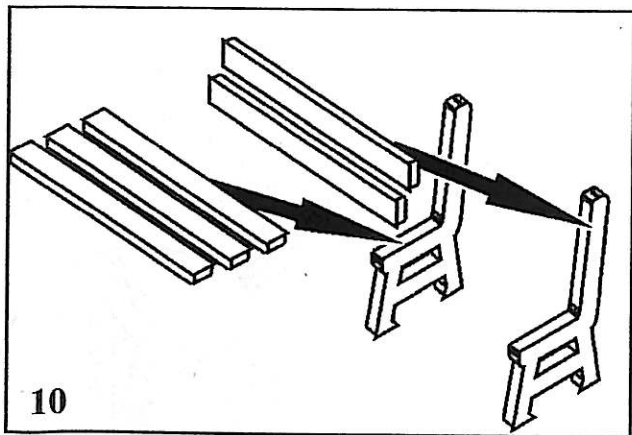
Your kit is now completed and ready for your layout. We hope you've enjoyed this kit. If you have any problems or comments, please contact us at:

Branchline Trains

333 Park Ave. East Hartford, CT. 06108

For a full list of our products, see our web site at:

www.branchline-trains.com



10

