

Smokehouse:

Walls

1) Glue the four wall pieces together as shown.

Trim and door:

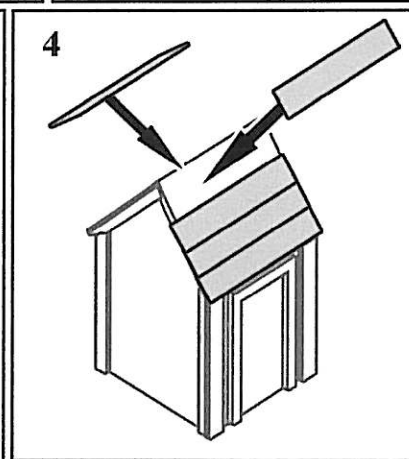
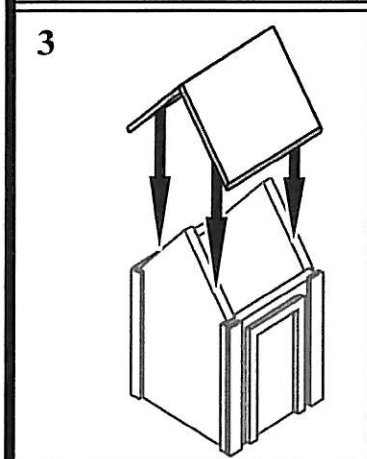
2) Now add the trim work and the door – see diagram for placement. Again, be sure to overlap the trim at the corners to create an even edge.

Subroof:

3) Install the subroof panel by removing the peel-and-stick backing and folding the panel on the scribed line then pressing it onto place.

Tar paper roofing:

4) Add the roofing material as you did on the other kits.



Chicken coop:

Walls:

1) Glue the four walls together as show. Now glue the legs onto the flooring, lining up the tabs on the floor with the slots on the legs.

2) Now glue the completed floor to the bottom of the walls.

Trim:

3) Add the 8 sections of trim as you did those on the other kits.

Subroof:

4) Add the subroof by removing the peel-and-stick backing and folding the panel on the scribed line, then press it into place.

Roofing and ramp:

5) Add the roofing as you did on the other kits. Finally, complete the chicken coop by installing the top detail section onto the ramp then inserting the ramp into the door opening as shown.

