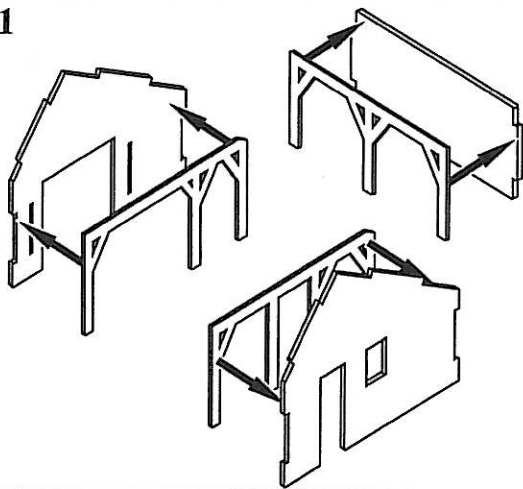


1



Large shed:

Walls:

- 1) Apply the peel and stick inner framing to the inside of the shed walls as shown.
- 2) Glue the two side wall assemblies to the rear wall. Now glue the front wall framing into place using the tabs and notches to align the components.
- 3) Glue the two side panels into the holes on the side wall, followed by the remaining wall panel.

Window, door, and trim:

- 4) Assemble the windows and door as you did those on the other buildings, then apply as shown. Apply the peel and stick corner trim as you did on the other buildings. Again, make sure to overlap the corners for a finished look.

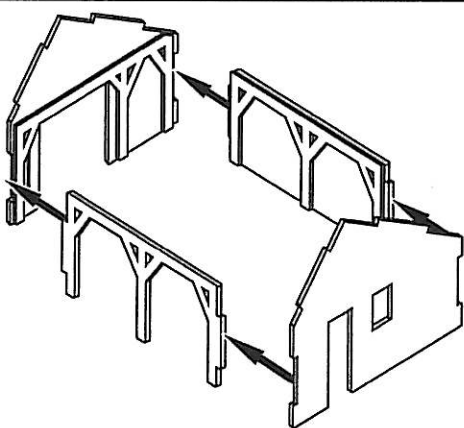
Sub-roof:

- 5) Glue the sub roof panels will glue into place on to the tabs on the upper walls.

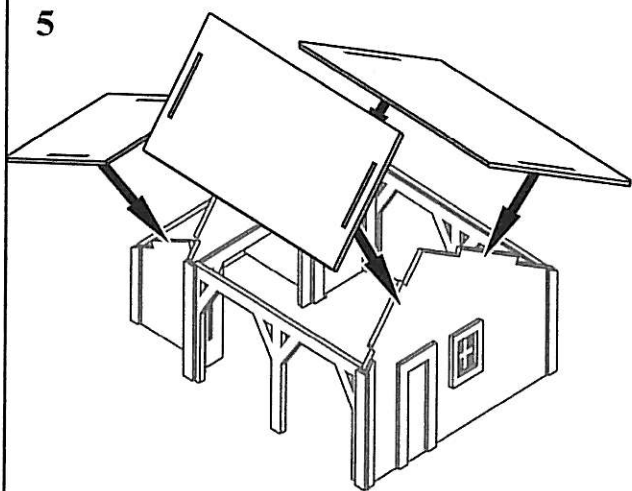
Tar paper roofing:

- 6) Apply the roofing strips with white glue. Roofing strips can be applied either vertically or horizontally.

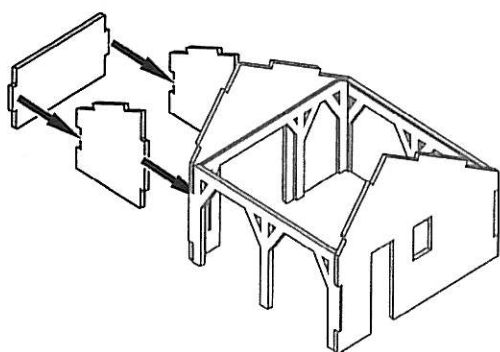
2



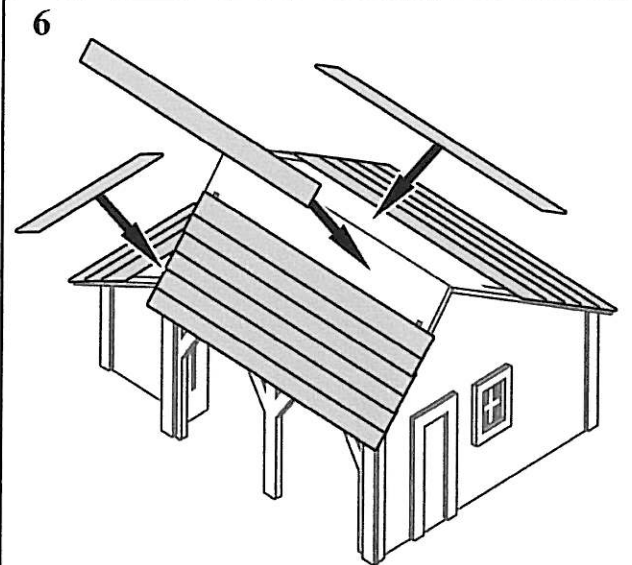
5



3



6



4

