

Doors:

5) Apply the trim pieces to each door, then glue the door to the barn in the desired position.

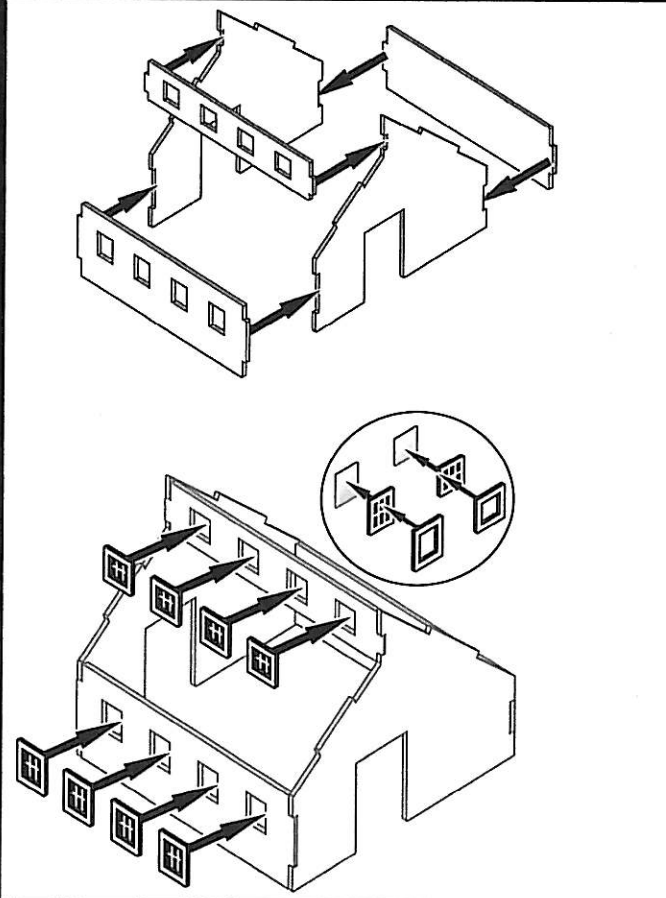
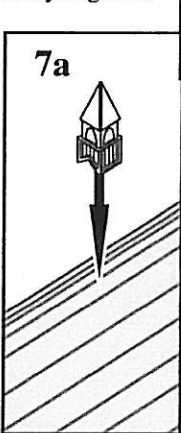
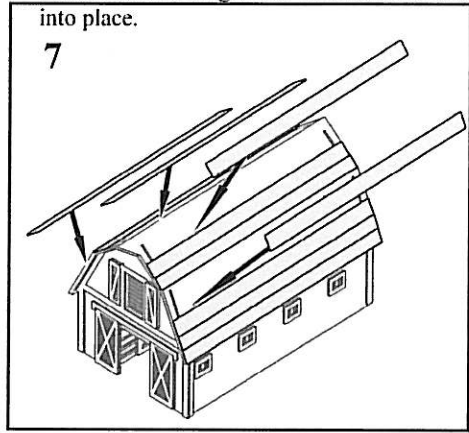
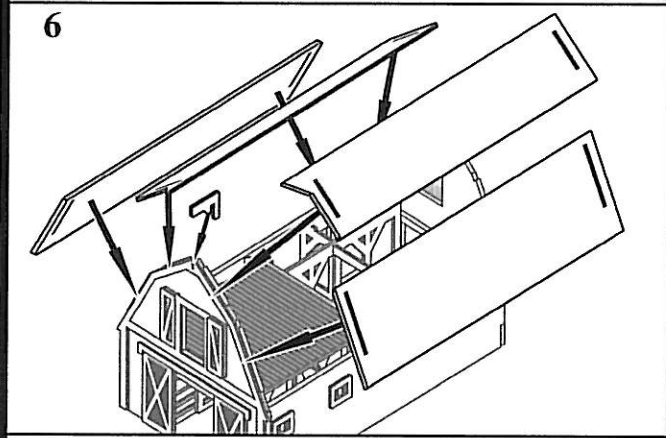
Sub roof and hoist arm:

6) Glue the small hoist arm into the slot on the front roof peak as shown. Now start applying the roof panels, gluing each onto the tabs on the end walls as shown.

Roofing and cupola:

7) Add the paper roofing to the roof panels using a thin layer of white glue. Start on each bottom edge and work your way up each side until you meet at the top. Apply a small strip as a roof cap if needed.

A resin cupola has been included with your kit. You will need to sand the roof angle into the bottom of it before you glue it into place.



Small barn:

Walls

1) Glue the two lower side walls section to the front and rear walls, then glue the upper into place.

Windows:

2) Assemble each window as you did the large barn windows and press them into place as shown.

Trim:

3) There are 12 pieces of trim for the corners of the small barn. Match each piece up to the appropriate corner and apply using the peel and stick adhesive. Note that each corner includes a wide and a narrow section. Apply the narrow section first flush with the corner, then apply the wider section so that it overlaps the first at the corner.

