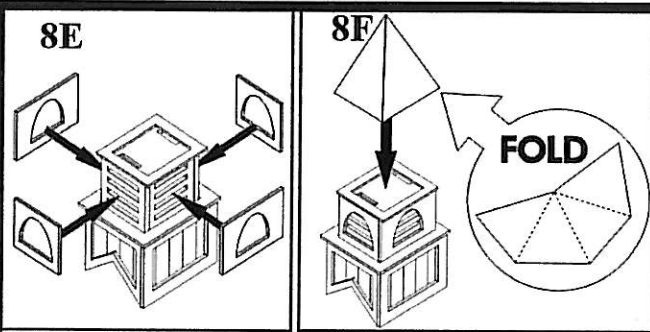
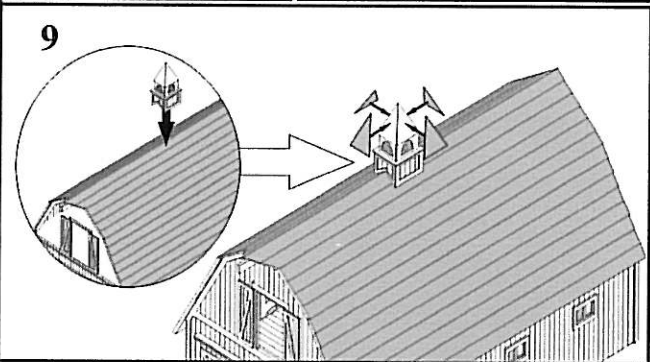


LASER-ART STRUCTURES by BRANCHLINE TRAINS



8E) Apply the trim panels with the half-round cut-outs over the slotted vents.

8F) Finally, fold the sub roof panel carefully along the scribed lines to form the roof peak. Mount this on top of the cupola base as shown. It should stick into place with the peel-and-stick backing but additional glue can be added if needed.



9) The final step is to glue the cupola onto the roof. Once in place, cut a few small sections of roof paper to fit the four sides of the cupola roof and glue into place.

Your kit is now completed and ready to display. We hope you've enjoyed this kit. If you have any problems or comments, please contact us at:

Branchline Trains

333 Park Ave. East Hartford, CT. 06108
(860)282-7080

For a full list of our products, see our web site at
[www. branchline-trains.com](http://www.branchline-trains.com)



**EXCELLENT
FIXER-UPPER
OPPORTUNITY.....**

