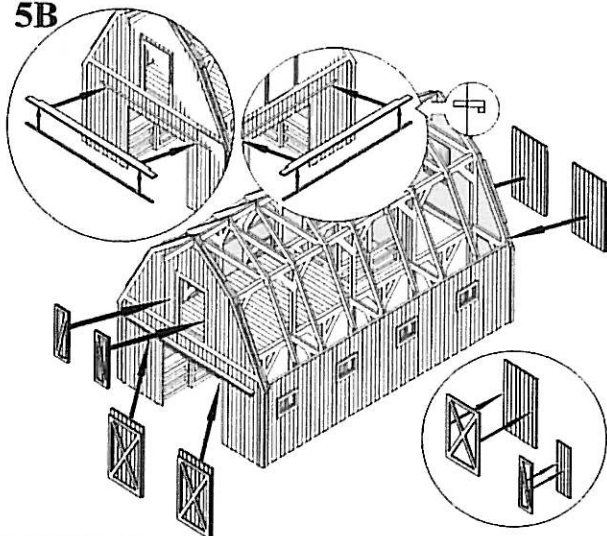


5B



5B) Start assembly of the barn doors by first adding the front and rear door tracks. Glue the underside rail to the upper railing (see diagram), then glue this assembly into the openings on the front and rear of the barn.

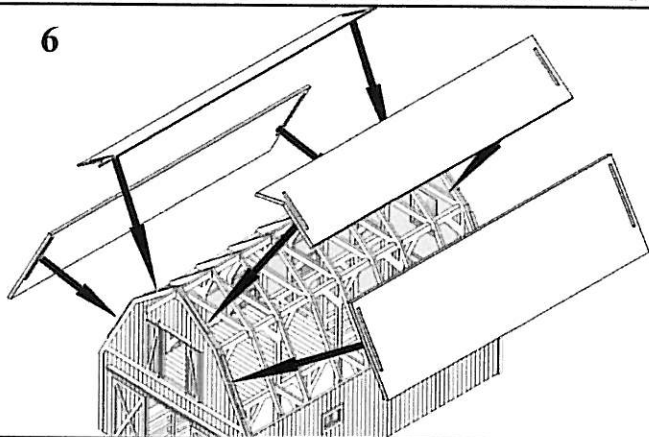
Now assemble the doors by removing the peel-and-stick backing from the door trim and applying these to the scribed door panels, keeping the trim flush with the bottom edge of the four main doors. This will allow these doors to fit under the lips on the door tracks. The doors can now be glued into the desired position (opened or closed).

The upper doors can be positioned open or closed. For an open door glue the doors to the outside of the framing. For a closed door glue the door into the door opening.

Sub roofing:

6) The sub roof panels will mount onto the tabs on the tops of the barns front and rear walls. Note that the two upper sections have a small extension that faces the front of the barn to cover the hoist beam.

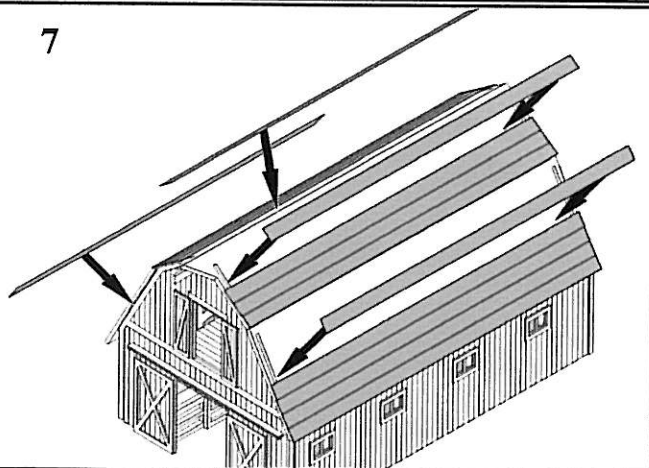
6



Roof covering:

7) We have provided strips of black paper for use as tarpaper roofing. Starting at the bottom edges and working up the roof, glue the strips into place. Overlap the strips below slightly as you go up. Apply a final piece folded down the middle as a roof cap.

7



Cupola:

We will break the assembly of the cupola into several steps Refer to the illustratins for each step as you go.

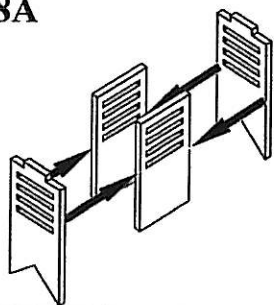
8A) Start by gluing the 4 sections of inner panels together as shown

8B) Next, glue the four lower scribed panel covers starting with the two notched end pieces. Now add the two outer panels making sure they are aligned with the first two.

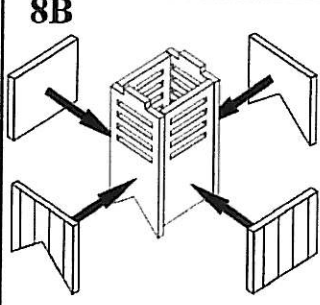
8C) Now apply the top and side trim pieces using the peel-and-stick backing to hold them into position. Install the angled trim pieces first, then the two outer ones.

8D) Glue the top cap into place, then apply the rectangular upper trim piece.

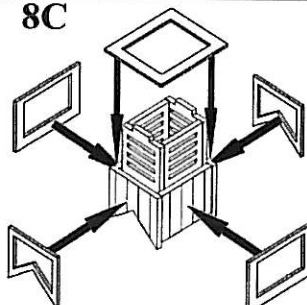
8A



8B



8C



8D

