

12

Bay window roofs:

12) The bay window roofs are made up of thick and thin pieces. Glue the thick pieces on top of the bays, then add the thinner sections on top. Note that the top sections overlap the ticker lower sections.

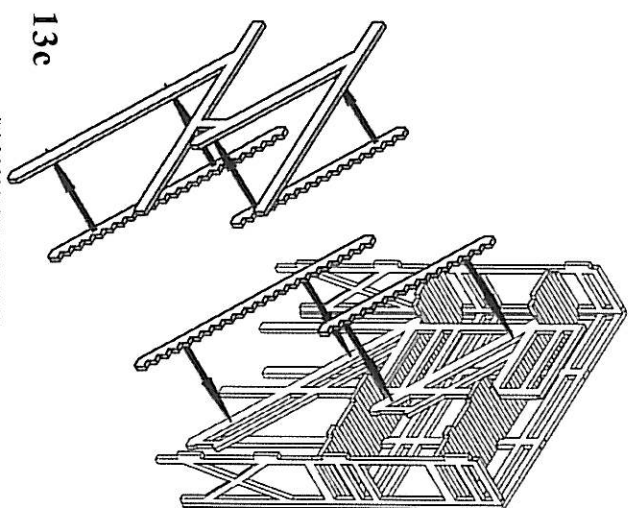
Rear stairways and porches:

13A) Glue the two floor sections into the end railings as shown. They will sit on top of the cross rails as shown. Now glue the large railing section into place overlapping the side pieces.

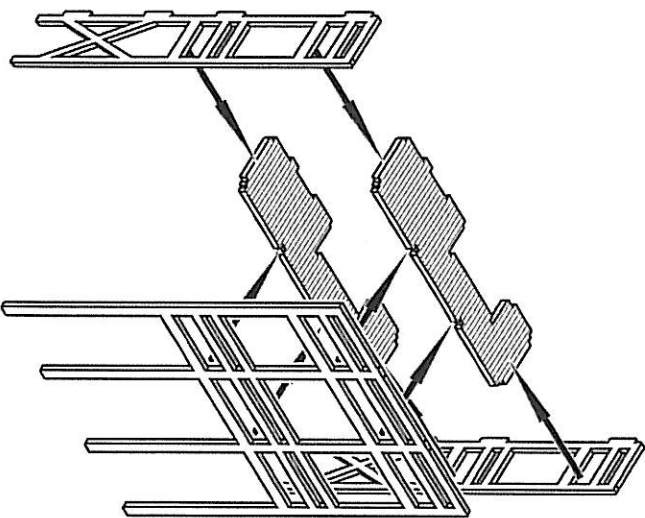
13B) Now glue the inner stair railing into the inner slots on the two sections of flooring as shown.

13C) Glue the stair stringers to the side of the stair section you just installed and to the outer stair railing section as shown. These should be flush with the bottom edges of each piece.

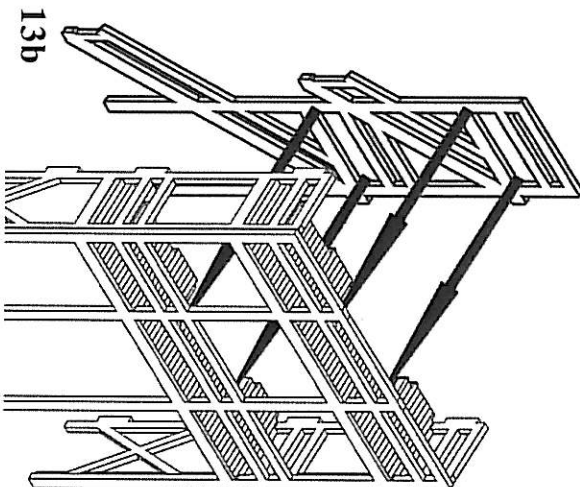
13D) Next, glue the outer stair railing to the porch assembly by gluing the cross beams to the underside of the flooring pieces (see diagram). Make sure you do not cover over the tabs on the flooring sections. These will hold the flooring to the walls later.



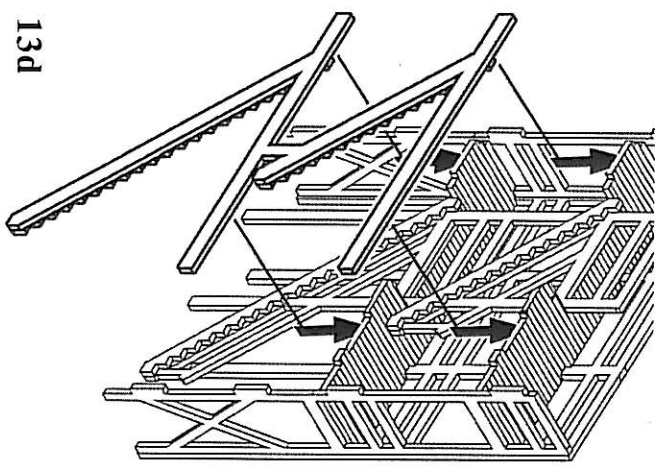
13c



13a



13b



13d