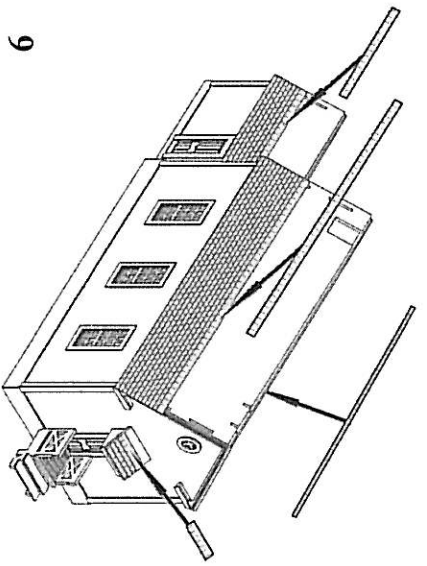


# LASER-ART STRUCTURES by BRANCHLINE TRAINS



9

### Paper roofing:

9) Starting at the bottom edge, apply the paper shingle strips one at a time using white glue, overlapping and staggering each strip as you move upward (see diagram). Some of the extra paper can also be used to create a roof cap for each roof peak. When the glue is dry take a sharp knife blade and trim the paper shingles away from the slots in the subroof.

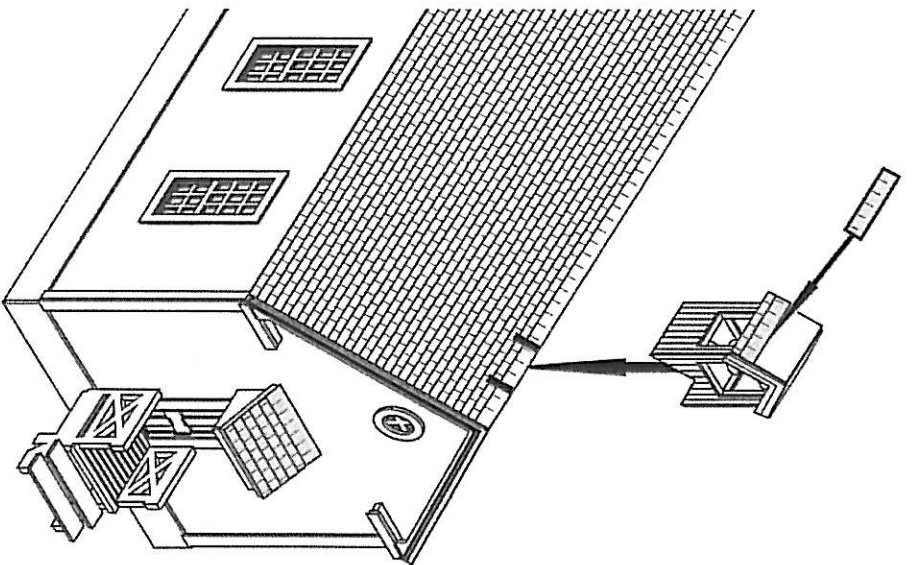
Paint the shingles to represent a slate roof. We like to use weathered black but any dark bluish gray will work. A few extra minutes spent on the roof really pays off since it is so visible when the structure is in place on the layout. For some added detail you can pick out individual slates with slightly lighter or darker shades of gray. Another effective technique is to use a knife blade to lift up the front edge on a few of the shingles for some added relief. Just don't overdo it here unless you want the look of a dilapidated roof. Finally, add a thin wash of black and once this is dry brush the shingles with some vertical streaks of a lighter color to pick out the highlights.

10) Now assemble the bell tower by first gluing the four inner wall sections together as shown. Once dry, you can attach the outer peel-and-stick panels as shown. Top the tower off by adding the sup-roof panels and edge trim boards.

Paint the resin bell casting a brass color, then glue into place inside the bell tower. Glue the completed bell tower into the front slots in the main roof.

### Chimneys:

11) Paint the resin chimney your choice of brick color, then cement it into place as shown.



Your kit is now completed and ready for your layout. We hope you've enjoyed this kit. If you have any problems or comments, please contact us at:

### Branchline Trains

323 Park Ave.  
East Hartford, CT. 06108

For a full list of our products, see our web site at  
[www.branchline-trains.com](http://www.branchline-trains.com)

10