

Corner Trim:

4) Note that each corner is made up of two sections, one wider than the other. Apply the narrower section flush with the edge of the wall, then apply the wider section so that it overlaps the edge of the narrower one.

Roof Eaves:

5) Locate the two straight section of eaves. Glue these into the slots along the top edges of the side walls as shown.

Subroofing and Trim:

6A) The two sub roof panels glue to the tops of the end walls and meet at the center. Make sure that the slots in the roof panels for the bell tower are towards the front of the structure (see diagram).

6B) Now add the rear sub roof panels, gluing them into the slots on the back wall and onto the three tabs on the rear addition walls roof section. Note that one of the panels has a small notch cut into it to fit around the corner trim on the side wall.

6C) Now remove the backing from the three pieces of roof trim and press them onto the ends of the sub roof panels and the ends of the eaves.

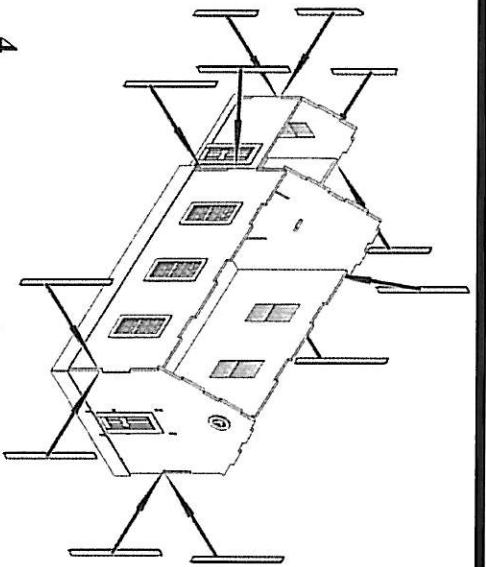
Front porch:

7) Assemble the front stairway by gluing the porch floor into the slots in the side railings as shown. Now glue the side railings into the slots in the front wall of the school house.

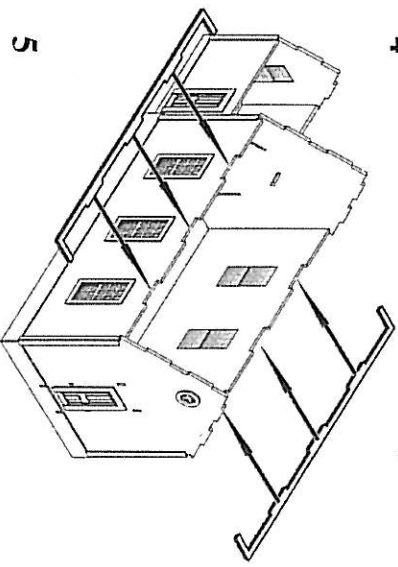
8) Glue the two porch roof side sections into the slots on the front wall. Then glue in the front piece to the slots on the side sections as shown.

Remove the backing from each step and press them onto the stair riser.

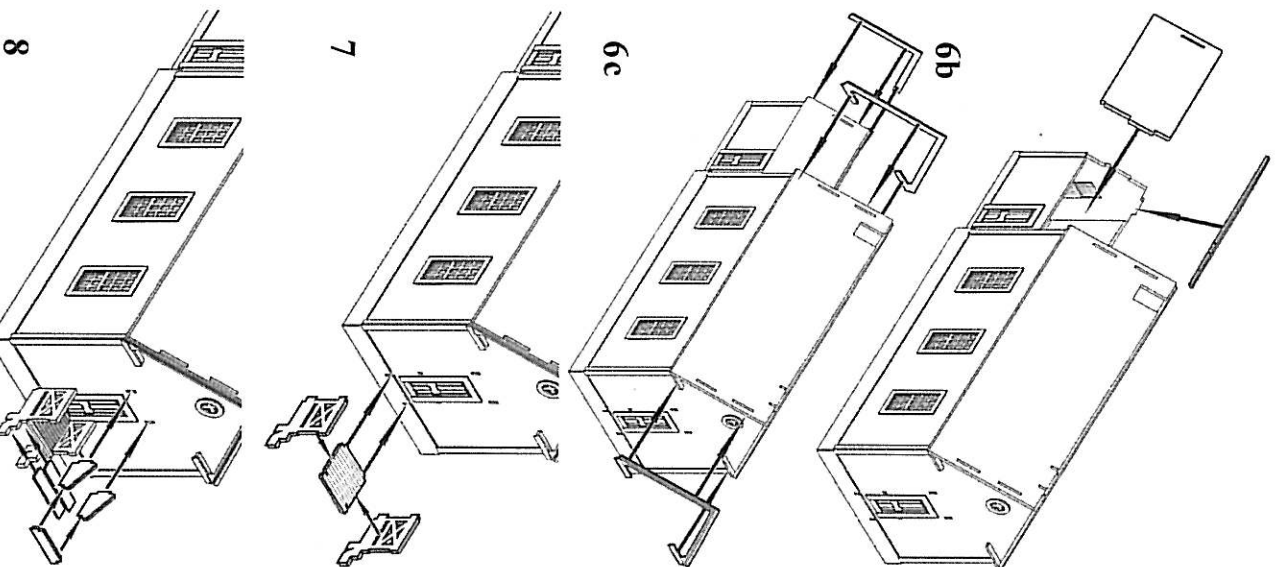
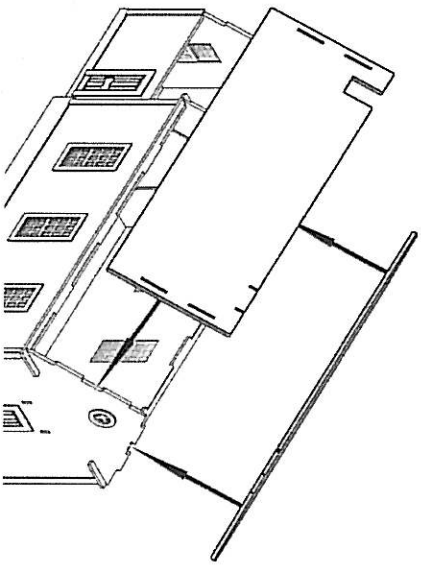
Now Glue the sub roof panel to the porch roof.



4



5



6b

6c

7

8