

# LASER-AIRL STRUCTURES by BRANCHLINE TRAINS

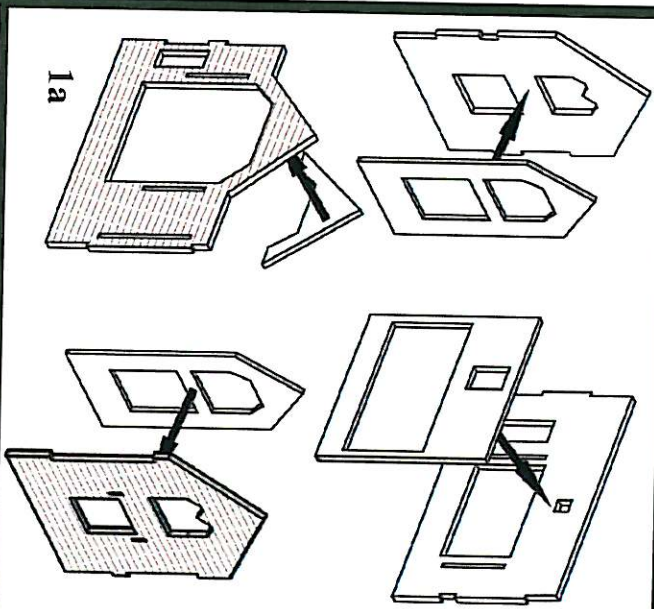
## Constructing the shell:

**1a/2a)** To provide reinforcement the main building walls have 1/16" plywood backing applied to them. Apply the plywood panels to the back of the walls using the peel-and-stick adhesive to hold them in place. Refer to diagrams for placement.

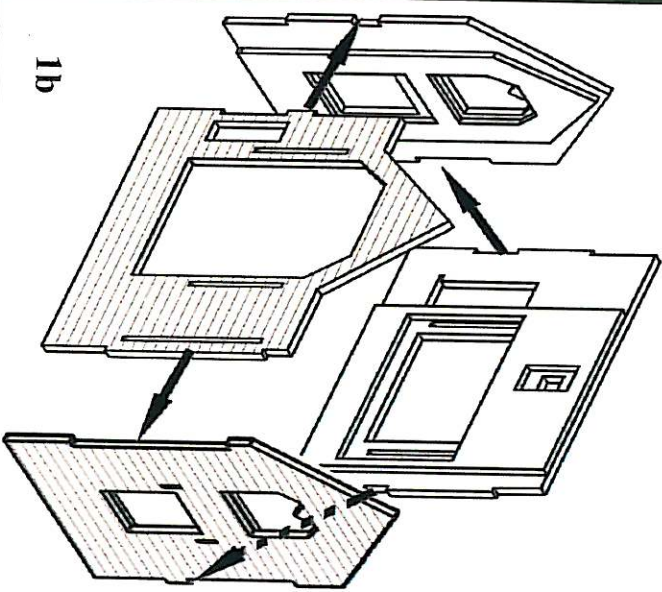
**1b)** Glue the four main wall pieces together making sure that they are square. (Note that they can only go together one way, all of the tabs should line up with their corresponding pieces).

**2b)** Once this assembly is dry add the three walls that make up the front extension pieces as shown.

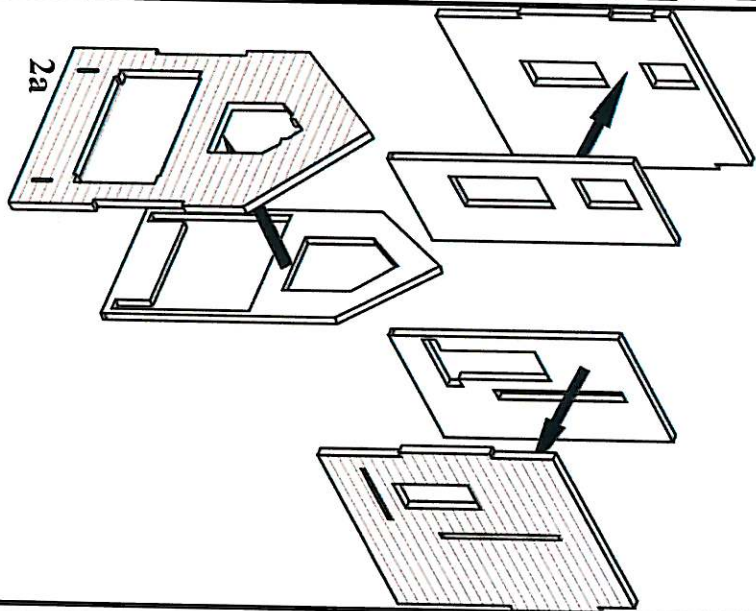
**3a)** Now move on to the tower section. Start by applying the plywood backing panels as shown.



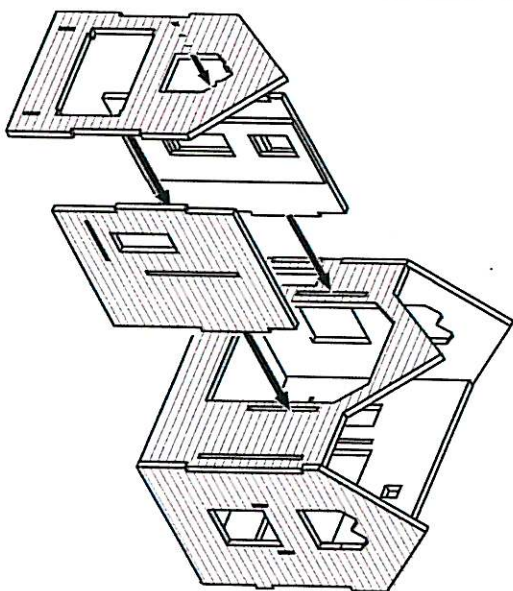
1a



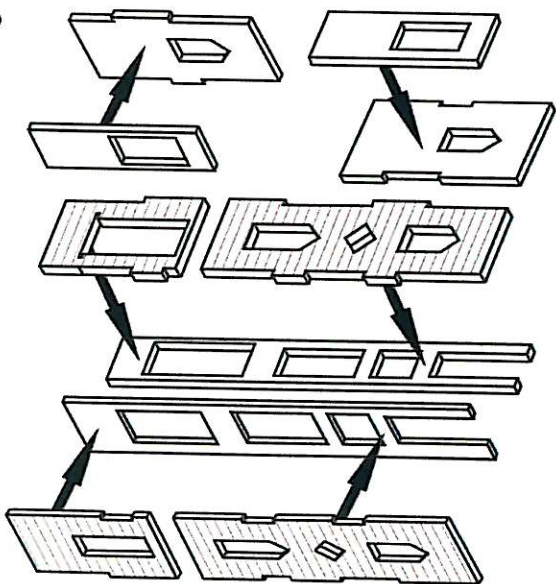
1b



2a



2b



3a